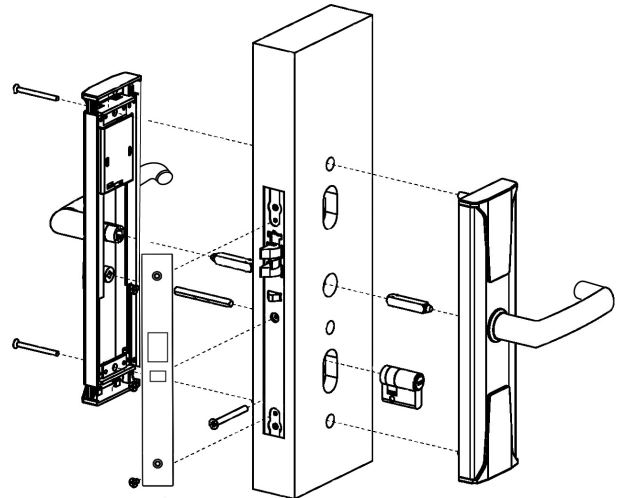
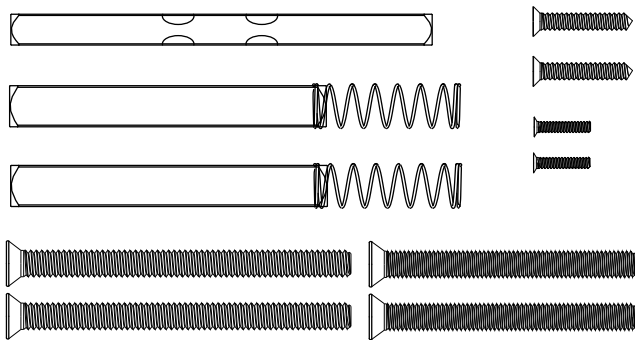


eGO Smart Hotel Lock

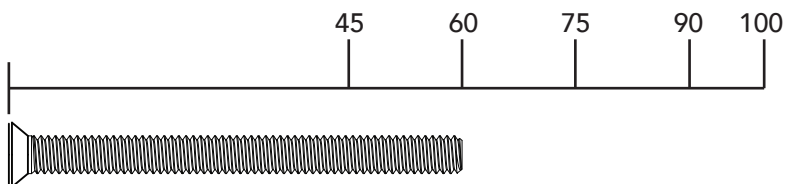
INSTALLATION INSTRUCTIONS

BOX CONTENTS

Description	Length	Quantity
Handle spindle (with spring)	45mm	2
Handle fixing screws	45mm	2
	60mm	2
Privacy spindle	60mm	1
Mortice lock and striker fixing screws		4
Faceplate fixing screws	M3x6mm	2



To choose the correct fixing screw, place the screw head below:



Care and Maintenance

Door Furniture

At twelve monthly intervals, the fixing screws securing the furniture to the door, both surface fix and through fix, should be checked and tightened as required. Loose fitting furniture which fails will not be covered under warranty. All door furniture should only be wiped clean with a soft damp cloth. A non-abrasive, mild household detergent may be used to remove ingrained grime.

Mortice Lock

Care should be taken to ensure the internal components are kept free of dirt and woodchips during installation as this is the most common cause of malfunction and will not be covered under warranty.

Mortice Lock Preparation

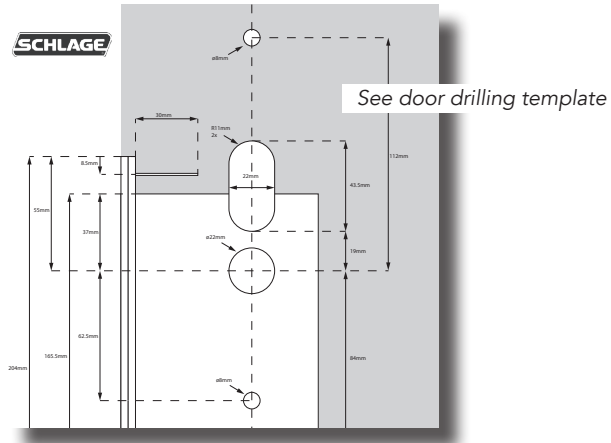
For wood based fire doors of 60 minutes integrity rating intumescent cards must be installed on both sides of the mortice case as per the door manufacturer's instructions.

Warranty

Our goods come with guarantees that cannot be excluded under the local consumer law. You are entitled to a replacement or refund for a major failure and for compensation for any other reasonably foreseeable loss or damage. You are also entitled to have the goods repaired or replaced if the goods fail to be of acceptable quality and the failure does not amount to a major failure.

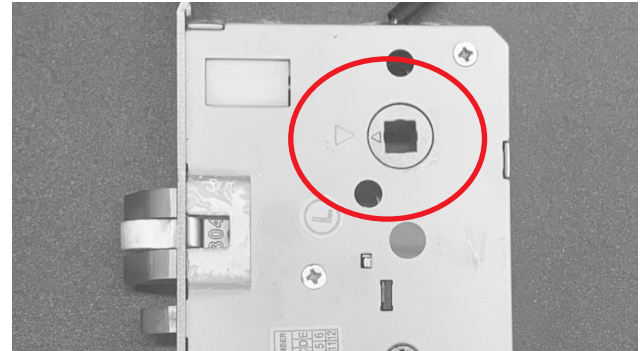
1. PREPARING THE DOOR

After preparing the mortice lock as per the instructions of the lock, drill the 5 preparation holes for the eGO using the drilling template provided. **Note:** The given hole sizes need to be drilled accurately to ensure successful lock installation. Particularly the second hole down, which will contain the cables, must be drilled as per the template or you may have difficulties with the cables not fitting in the hole.



2. ADJUST SPINDLE HOLDER DIRECTION

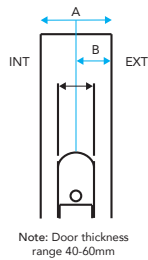
Ensure the arrows on the spindle hole and mortice lock are pointing towards each other.



3. SELECT CORRECT LENGTH SCREWS AND SPINDLE

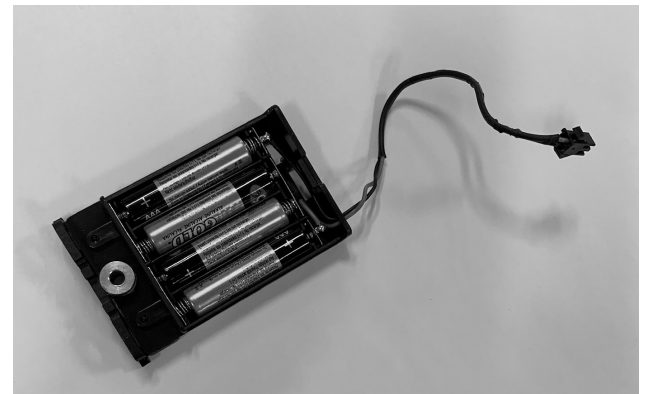
Refer to the cover page of these instructions for box contents, to select the correct screws and spindles to suit your door thickness.

Door measures	
A-B	Internal handle spindle length
20 to 31mm	45mm
B	External handle spindle length
20 to 30mm	45mm
A	Fixing screw length
40 to 44mm	45mm
45 to 60mm	60mm



4. INSERT BATTERIES AND MECHANICAL KEY OVERRIDE

Insert batteries into the battery pack. If using mechanical key override i.e. cylinder, install cylinder into mortice lock now. Insert from the external side and fasten with the cylinder retaining screw through the edge of the door/mortice lock.



5. CONNECT EXTERNAL HANDLE CABLE

Connect the external handle cable to the mortice lock cable then push the cable back through to the internal side of the door.



6. INSERT EXTERNAL SPINDLE

Insert external spindle. Hold the external handle flush against the door.



7. CONNECT BATTERY PACK

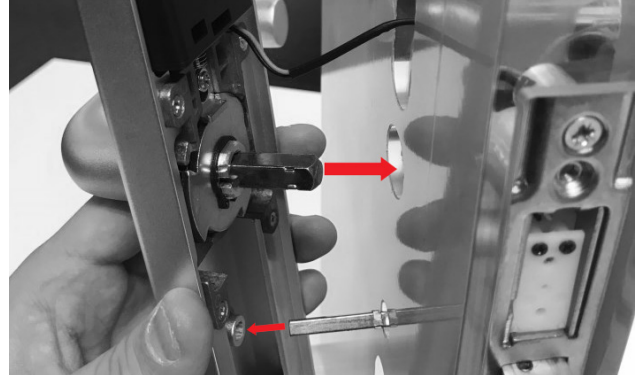
Connect the battery pack to the mortice lock cable. Keep hold of the battery pack towards the top of the handle plate. Push remaining cables into the drill hole for storage. Keeping the cables contained in the drill hole is essential to enable both sides of the handle to sit flush on the door and connect correctly.

Note: You can use blue tack to help hold the battery pack in place.



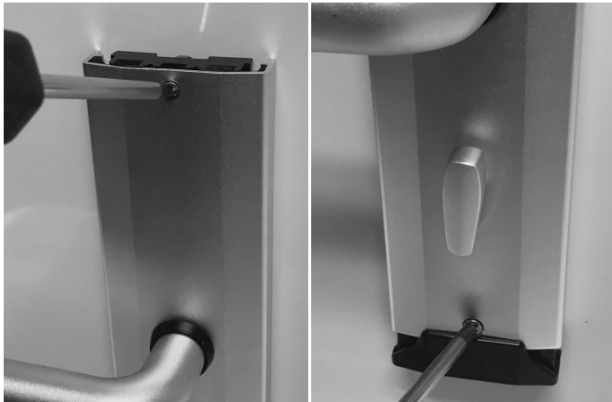
8. INSERT INTERNAL SPINDLES

Insert the internal handle ensuring the spindles align.



9. FASTEN SCREWS

Fasten top and bottom screws to connect internal and external handles. **Note:** the top screw goes through the hole in the battery pack. Test operation of the internal lever to ensure correct alignment.



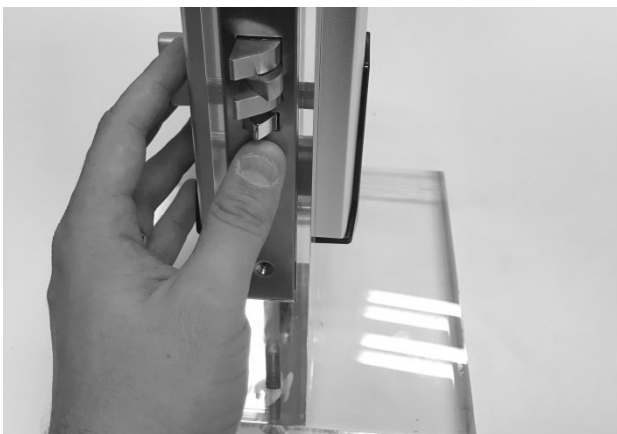
10. INSERT PLASTIC CAPS

Insert the plastic caps on the top and bottom of the internal handle.



11. ATTACH FACEPLATE TO DOOR EDGE

Fasten the faceplate to the edge of the door/mortice lock.



12. TEST LEVER OPERATION

Three construction cards are supplied with the Schlage Breeze Encoder (sold separately). Using a construction card, test the external lever is functioning correctly. Execute testing with door open to prevent lockout. Ensure that the internal lever retracts the latch.

